

6

PARTS LIST 1831.003.001/10

When ordering please indicate part number and quantity

Explosion drawing see page 20

* Recommended spare parts

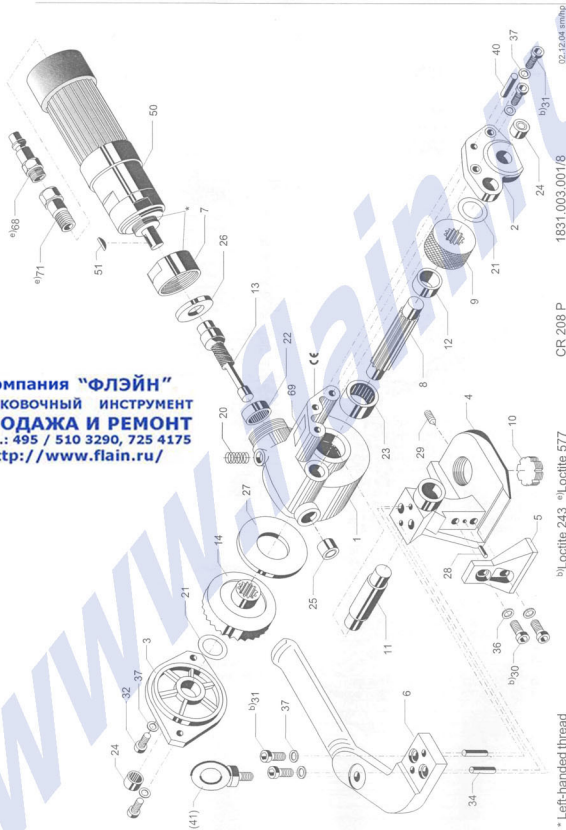
Pos.	Part no	Part name	Quantity	Pos.	Part no	Part name	Quantity
1	1831.032.002	Gear housing complete	1	50	1894.425.000	Compressed air motor, LZB 33 A 005-64	1
2	1831.032.001	Bearing plate	1	51	1895.312.003	Key	1
3	1832.039.002	Cover	1	52			
4	1831.011.001	Base plate	1	53			
5	1831.011.002	Knee piece, 0,8 - 1,0 mm	1	54			
6	1821.080.001	Lever	1	55			
7	1821.025.001	Nut	1	56			
8	1821.034.002	Shaft	1	57			
* 9	1821.040.001	Tension wheel	1	58			
				59			
* 10	1821.043.001	Tension plug	1	60			
11	1821.034.001	Axe	1	61			
12	1821.020.010	Spacer bushing	1	62			
13	1821.063.001	ZTA-Pinion	1	63			
14	1821.063.002	ZTA-Wheel	1	64			
15				65			
16				66			
17				67	1820.090.068	Oil tag	1
18				68	1940.311.721	Air plug, G 1/4"	1
19				69	1821.090.003	Name tag	1
20	1820.010.213	Compression spring	1				
21	1917.401.145	Distance washer, ø 14/26 x 0,5	2				
22	1933.820.120	Needle bushing, ø 20/28 x 12	1				
23	1933.722.162	Needle bushing, ø 22/28 x 16	1				
24	1933.914.120	Needle bushing, ø 14/20 x 12	2				
25	1933.910.120	Needle bushing, ø 10/14 x 12	1				
26	1934.330.151	Trust bearing, ø 15/28,4 x 6	1				
27	1934.310.350	Trust bearing, ø 35	1				
28	1921.304.120	Cylindric pin, ø 4m6 x 12	1				
29	1910.505.082	Threaded pin, M 5 x 8	1				
30	1911.006.168	Cylinder screw, M 6 x 16	2				
31	1911.005.149	Cylinder screw, M 5 x 14	4				
32	1911.005.108	Cylinder screw, M 5 x 10	2				
33							
34	1921.305.160	Cylindric pin, ø 5m6 x 16	2				
35							
36	1919.606.072	Lock washer, M 6	2				
37	1919.605.062	Lock washer, M 5	6				
38							
39							
40	1921.306.220	Cylindric pin, ø 6m6 x22	1				
41	1912.908.006	Ring screw, M 6 (on request)	1				
42							
43							
44							
45							
46							
47							
48							
49							

Variation USA/CAN

68	1820.100.019	Air plug, 1/4" NPT	1
71	1820.100.017	Transition connector, G 1/4" x 1/4" NPT	1

Компания "ФЛЭЙН"
УПАКОВОЧНЫЙ ИНСТРУМЕНТ
ПРОДАЖА И РЕМОНТ
ТЕЛ.: 495 / 510 3290, 725 4175
<http://www.flain.ru/>

Компания "ФЛЭЙН"
 УПАКОВОЧНЫЙ ИНСТРУМЕНТ
ПРОДАЖА И РЕМОНТ
 ТЕЛ.: 495 / 510 3290, 725 4175
<http://www.flain.ru/>



* Left-handed thread

b) Loctite 243 e) Loctite 577

CR 208 P

1831.003.001/8

02.12.04 smhp

7

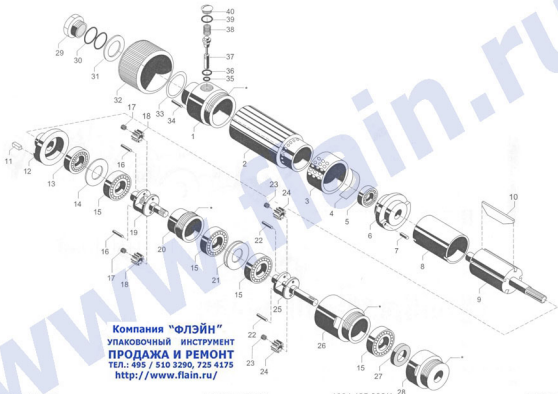
PARTS LIST AIR MOTOR 1894.425.000/1

When ordering please indicate part number and quantity

Explosion drawing see page 22

Pos.	Part no	Part name	Quantity
1	1894.425.002	Valve housing	1
2	1894.425.011	Gear housing (Rear side)	1
3	1894.432.026	Silencer	1
4	1894.432.027	Mesh screen	1
5	1894.432.005	Ball bearing	1
6	1894.432.004	Bearing plate rear	1
7	1894.432.006	Pin	1
8	1894.432.003	Cylinder	1
9	1894.422.001	Rotor	1
10	1894.422.002	Blade	5
11	1894.432.002	Pin	1
12	1894.432.009	Bearing plate front	1
13	1894.432.001	Ball bearing	1
14	1894.432.013	Disc	1
15	1894.432.021	Ball bearing	4
16	1894.332.015	Shaft	2
17	1894.332.016	Needle cage	2
18	1894.422.003	Planetary wheel	2
19	1894.422.004	Planetary cage	1
20	1894.432.025	Threaded bushing	1
21	1894.432.024	Saucer spring	2
22	1894.432.017	Shaft	2
23	1894.332.024	Bearing needle	32
24	1894.432.016	Planetary wheel	2
25	1894.432.018	Planetary cage	1
26	1894.432.023	Gear housing (Front side)	1
27	1894.432.020	Gasket	1
28	1894.432.022	Front part	1
29	1894.324.005	Air connection	1
30	1894.425.005	O-Ring	2
31	1894.425.006	Spacer ring	1
32	1894.425.008	Operating ring	1
33	1894.425.007	Spring washer	1
34	1894.425.004	Pin	1
35	1894.324.008	O-Ring	1
36	1894.425.009	O-Ring	1
37	1894.425.003	Valve	1
38	1894.324.003	Compression spring	1
39	1894.324.001	O-Ring	1
40	1894.324.002	Locking screw	1

Компания "ФЛЭЙН"
УПАКОВОЧНЫЙ ИНСТРУМЕНТ
ПРОДАЖА И РЕМОНТ
 Тел.: 495 / 510 3290, 725 4175
<http://www.flain.ru/>



Компания "ФЛЭЙН"
УПАКОВОЧНЫЙ ИНСТРУМЕНТ
ПРОДАЖА И РЕМОНТ
ТЕЛ.: 495 / 510 3290, 725 4175
<http://www.flain.ru/>

* Left-handed thread

LZB 33 A005-64

1894.425.000/1

28.5.98 w6/96