

8

PARTS LIST 1174.200.100/11

When ordering please indicate part number and quantity

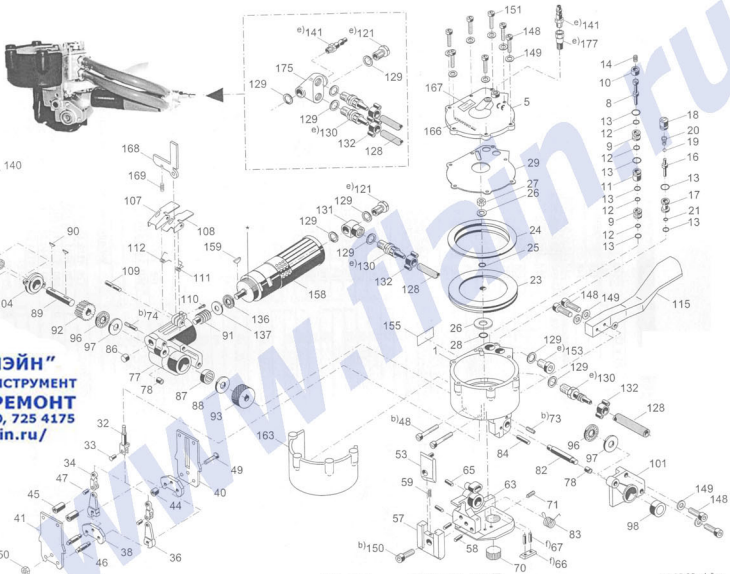
Explosion drawing see page
28

Pos.	Part no	Part name	Quantity	Pos.	Part no	Part name	Quantity
1	1174.200.115	Cylinder	1	46	1820.030.415	Bolt	2
2				47	1820.030.414	Bolt	2
3				48	1820.030.412	Special screw, M 6	2
4				49	1911.905.252	Counter sunk screw, M 5 x 25	1
5	1174.200.114	Cylinder cover	1	50	1916.305.052	Lock nut, M 5	1
6				51			1
7				52			
8	1820.100.036	Valve stem, long	1	* 53	1174.200.152	Cutter complete 13 mm	1
9	1820.100.030	Sleeve	2	* 53	1174.200.124	Cutter complete 16, 19 mm	1
10	1820.100.033	Ring	1	54			
11	1820.100.034	Sleeve	1	55			
12	1927.601.020	O-Ring, ø 10 x 2	4	56			
13	1927.601.600	O-Ring, ø 16,1	6	57	1174.200.121	Cutter guide	1
14	1820.010.208	Compression spring	1	58	1921.305.120	Straight pin, ø 5m6 x 12	2
15				59	1820.010.207	Compression spring	1
16	1820.100.035	Valve stem, short	1	60			
17	1820.100.031	Sleeve	1	61			
18	1820.100.032	Sleeve	1	62			
19	1925.010.802	Ball	1	63	1174.200.150	Base plate complete, incl. pos. 64-67	13 mm 1
20	1820.010.047	Compression spring conical	1	63	1174.200.148	Base plate complete, incl. pos. 64-67	16 mm 1
21	1927.600.420	O-Ring, ø 4 x 2	1	63	1174.200.149	Base plate complete, incl. pos. 64-67	19 mm 1
22				64			
23	1174.200.120	Piston	1	65	1921.304.120	Straight pin, ø 4m6 x 12	13 mm 2
24	1928.011.050	Piston ring, ø 105	1	65	1921.304.100	Straight pin, ø 4m6 x 10	16 mm 2
25	1927.600.610	O-Ring, ø 6 x 1,5	1	65	1921.304.080	Straight pin, ø 4m6 x 8	19 mm 2
26	1820.020.261	Washer	2	* 66	1174.200.146	Strap guide	13 mm 1
27	1916.306.062	Lock washer, M 6	1	* 66	1174.200.147	Strap guide	16 mm 1
28	1927.601.010	O-Ring, ø 10 x 1,5	1	* 66	1174.200.145	Strap guide	19 mm 1
29	1174.200.137	Gasket	1	* 67	1921.902.085	Roll pin, ø 2,5 x 8	2
30				68			
31				69			
32	1174.200.131	Slider	1	70	1820.040.101	Tension plug	1
33	1820.030.413	Bolt	1	71	1910.104.098	Set screw, M 4 x 8	1
34	1174.200.128	Link	2	72			
35				73	1820.030.416	Special screw, M 6	1
* 36	1174.200.141	Jaw	13 mm 2	74	1820.030.417	Special screw, M 6	1
* 36	1174.200.142	Jaw	16 mm 2	75			
* 36	1174.200.143	Jaw	19 mm 2	76			
37				77	1174.200.116	Gear housing complete	1
38	1174.200.125	Notcher	13 mm 2	78	1935.510.100	Slide bearing, ø 10/12 x 10	2
38	1174.200.126	Notcher	16 mm 2	79			
38	1174.200.127	Notcher	19 mm 2	80			
39				81			
40	1174.200.132	Plate	1	82	1820.030.410	Axe	1
41	1174.200.133	Front plate	13 mm 1	* 83	1820.010.209	Torque spring	1
41	1174.200.134	Front plate	16 mm 1	84	1921.804.122	Roll pin, ø 4 x 12	1
41	1174.200.135	Front plate	19 mm 1	85			
42				86	1933.908.080	Needle bearing, ø 8/12 x 8	1
43							
44	1820.020.262	Bushing	1				
45	1820.020.263	Bushing	2				

Pos.	Part no	Part name	Quantity
87	1933.815.120	Needle bushing, ø 15/21 x 12	1
88	1928.615.213	Gasket, ø 15/21 x 3	1
89	1820.030.411	Tension shaft	1
90	1173.200.063	Key	2
91	1820.060.082	Worm gear	1
92	1820.060.081	Worm gear wheel	1
* 93	1820.040.100	Tension wheel	1
94			
95			
96	1934.310.150	Thrust bearing, ø 15	2
97	1934.430.150	Counter washer, ø 15/28 x 0,8	2
98	1934.015.120	Needle bushing, ø 15/21 x 12	2
99			
100			
101	1174.200.118	Cover, left	1
102			
103			
104	1174.200.111	Cover, right	1
105			
106			
107	1174.200.139	Lever, yellow	1
108	1174.200.140	Lever, green	1
109	1174.200.138	Bolt	1
110	1820.030.418	Special screw, M 4	1
* 111	1820.010.211	Torque spring	1
* 112	1820.010.210	Torque spring	1
113			
114			
115	1174.200.117	Handle	1
116			
117			
118			
119			
120			
121	1940.070.723	One-way restrictor, G 1/4"	1
122			
123			
124			
125			
126			
127			
128	1173.400.044	Air hose	1
129	1941.210.720	Gasket, G 1/4"	5
130	1941.111.040	Hose connection, G 1/4"	2
131	1941.112.720	I-Connection, G 1/4"	1
132	1940.331.188	Hose clamp, ø 18	2
133			
134			
135			
136	1934.310.100	Thrust bearing, ø 10	1
137	1934.430.100	Counter washer, ø 10/22 x 0,8	1
138			
139			
140	1174.200.157	Suspension bow	1
141	1940.311.721	Air plug, G 1/4"	1
142			

Pos.	Part no	Part name	Quantity
143			
144			
145			
146			
147	1911.005.208	Cylinder screw, M 5 x 20	2
148	1911.005.168	Cylinder screw, M 5 x 16	10
149	1919.605.062	Lock washer, M 5	13
150	1911.005.128	Cylinder screw, M 5 x 12	1
151	1911.005.258	Cylinder screw, M 5 x 25	1
152			
153	1911.272.127	Locking screw, G 1/4"	1
154			
155	1820.090.068	Oil lable	1
156			
157			
158	1894.332.000	Air motor, Type LZB22 A008-50	1
159	1174.200.136	Key	1
160			
161			
162			
163	1174.200.162	Cover	1
164			
165			
166	1820.090.198	Name tag	1
167	1820.090.172	Label "Made in Switzerland"	1
Variation USA/CAN			
141	1820.100.019	Air connector, 1/4" NPT	1
177	1820.100.017	Transition connection, G 1/4"-1/4" NPT	1
Variation with device to fix the lever			
168	1174.200.155	Handle	1
* 169	1820.010.010	Compression spring	1
Variation with air connection on motor			
128	1173.400.044	Air hose	1
129	1941.210.720	Gasket, G 1/4"	2
130	1941.111.040	Hose connection, G 1/4"	2
132	1940.331.188	Hose clamp, ø 18	2
175	1174.200.154	Connection angle	1

Компания "ФЛЭЙН"
УПАКОВОЧНЫЙ ИНСТРУМЕНТ
ПРОДАЖА И РЕМОНТ
ТЕЛ.: 495 / 510 3290, 725 4175
<http://www.flain.ru/>



Компания "ФЛЭЙН"
 УПАКОВОЧНЫЙ ИНСТРУМЕНТ
ПРОДАЖА И РЕМОНТ
 ТЕЛ.: 495 / 510 3290, 725 4175
<http://www.flain.ru/>

* Left-handed thread

b) Loctite 243

e) Loctite 577

l) Loctite 638

CR 25 A

1174.200.100/7

11.02.02 wb/hp

9

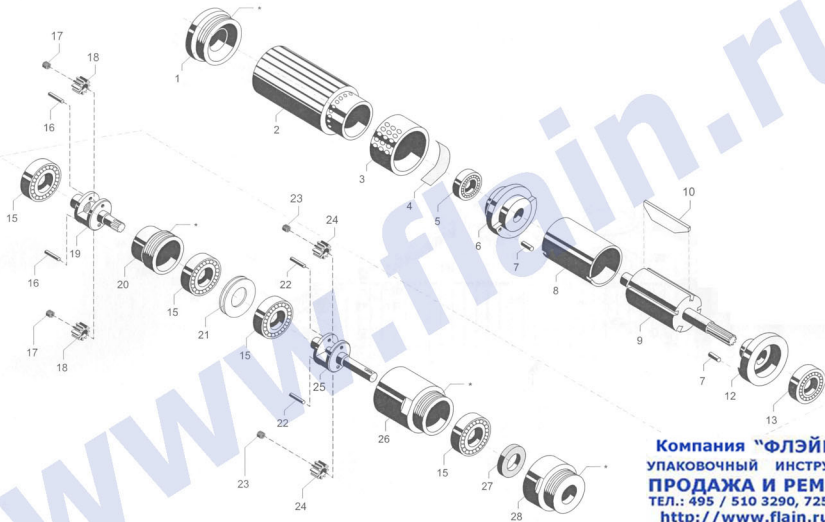
PARTS LIST COMPRESSED AIR MOTOR 1894.332.000/2

When ordering please indicate part number and quantity

Explosion drawing see page 30

Pos.	Part no	Part name	Quantity
1	1894.332.011	End plate	1
2	1894.332.010	Gear housing (Rear side)	1
3	1894.332.013	Silencer	1
4	1894.332.033	Mesh screen	1
5	1894.332.002	Ball bearing	1
6	1894.332.003	Bearing plate rear	1
7	1894.332.001	Pin	2
8	1894.332.005	Cylinder	1
9	1894.332.004	Rotor	1
10	1894.332.007	Blade	5
11			
12	1894.332.009	Bearing plate front	1
13	1894.332.008	Ball bearing	1
14			
15	1894.332.014	Ball bearing	4
16	1894.332.015	Shaft	2
17	1894.332.016	Bearing needle	2
18	1894.332.017	Planetary wheel	2
19	1894.332.019	Planetary cage	1
20	1894.332.020	Threaded bushing	1
21	1894.332.021	Saucer spring	2
22	1894.332.022	Shaft	2
23	1894.332.024	Bearing needle	24
24	1894.332.023	Planetary wheel	2
25	1894.332.026	Planetary cage	1
26	1894.332.029	Gear housing (Front side)	1
27	1894.432.020	Gasket	1
28	1894.332.028	Front part	1

Компания "ФЛЭЙН"
 УПАКОВОЧНЫЙ ИНСТРУМЕНТ
ПРОДАЖА И РЕМОНТ
 ТЕЛ.: 495 / 510 3290, 725 4175
<http://www.flain.ru/>



* Left-handed thread

LZB 22 A008-50

1894.332.000/2

Mac 1/28.08.98 wb/ja

Компания "ФЛЭЙН"
 УПАКОВОЧНЫЙ ИНСТРУМЕНТ
ПРОДАЖА И РЕМОНТ
 Тел.: 495 / 510 3290, 725 4175
<http://www.flain.ru/>