

8

PARTS LIST 1831.002.001/14

When ordering please indicate part number and quantity  
 \* Recommended spare parts

Explosion drawing see page 28

Pos.	Part no	Part name	Quantity	Pos.	Part no	Part name	Quantity	
1	1831.011.003	Cylinder complete	1	*	40	1821.208.009	Cutter "E", incl. pos. 41 32 mm	1
2				41	1921.602.081	Spiral pin, ø 2,5 x 8	1	
3				42				
4				43	1927.614.020	O-Ring, ø 140 x 2	1	
5				*	44	1927.601.410	O-Ring, ø 14 x 1,5	1
6	1831.011.004	Retaining ring	1	45	1928.011.500	K-Ring, ø 150	1	
7	1820.020.281	Washer	1	46	1820.020.277	Washer	2	
8	1831.011.005	Housing complete, incl. pos. 9-11	1	47				
9	1935.510.100	Radial slide bearing, ø 10/12 x 10	1	48	1916.308.082	Lock nut, M 8	1	
				49				
10	1935.000.200	Internal ring, ø 9/12 x 12	1	50				
11	1935.510.150	Radial slide bearing, ø 10/12 x 15	1	51	1820.100.032	Bushing	1	
12				52	1820.010.047	Compression spring	1	
13	1831.032.003	Gear housing incl. pos. 14	1	53	1925.010.802	Ball	1	
14	1821.020.031	Bushing	1	54	1820.100.041	Valve stem short	1	
15				*	55	1927.601.600	O-Ring, ø 16 x 1	6
16				56	1820.100.031	Bushing	1	
17	1832.039.002	Cover	1	*	57	1927.600.420	O-Ring, ø 4 x 2	1
18	1174.400.051	Flange	1	58				
19	1174.400.067	Silencer	1	59				
				60				
20	1831.032.001	Bearing plate	1	61	1821.010.001	Compression spring	1	
21				62	1820.100.039	Ring	1	
22				63	1820.100.042	Valve stem long	1	
23	1821.101.002	Piston	1	64				
24	1831.011.014	Base plate, 0,8 mm	25 mm 1	*	65	1927.600.820	O-Ring, ø 8 x 2	5
24	1831.011.007	Base plate	25 mm 1	66	1820.100.038	Sleeve	2	
24	1831.011.006	Base plate "E", 0,8 mm	32 mm 1	67	1820.100.037	Sleeve	1	
24	1831.011.008	Base plate "E"	32 mm 1	68				
25				69	1927.600.600	O-Ring, ø 6 x 1	3	
26	1831.021.012	Plate front	25 mm 1					
26	1831.021.013	Plate front	32 mm 1	70	1927.601.710	O-Ring, ø 17 x 1,5	1	
27	1831.021.002	Plate rear	25 mm 1	71				
27	1831.021.004	Plate rear	32 mm 1	72	1821.034.004	Shaft	1	
28	1174.400.061	Slider	25 mm 1	73	1821.020.016	Bushing	1	
28	1831.021.005	Slider	32 mm 1	*	74	1820.040.098	Tension wheel	1
29	1821.200.005	Jaw	25 mm 4	75	1917.401.145	Space washer, ø 14/26 x 0,5	2	
*	29	1821.200.004	Jaw	32 mm 4	76	1933.914.120	Needle bearing, ø 14/20 x 12, 2	
				77	1921.306.220	Straight pin, ø 6 x 22	1	
*	30	1821.200.002	Notcher	25 mm 1	78			
*	30	1821.200.003	Notcher	32 mm 1	79	1821.070.001	O-Ring, ø 3,5 x 1,5	1
31	1174.400.065	Link	25 mm 2	80				
31	1821.205.003	Link	32 mm 2	81				
32				82	1933.722.162	Needle bushing, ø 22/28 x 16	1	
33	1934.450.060	Counter washer, ø 6/13,4 x 2	4	83	1934.310.350	Thrust bearing, ø 35	1	
34	1820.030.444	Bolt	25 mm 1	84				
34	1821.033.004	Bolt	32 mm 2	85	1821.063.002	ZTA-Wheel	1	
*	35	1821.033.008	Bolt	4	86	1821.063.001	ZTA-Pinion	1
36	1820.030.439	Bolt	2	87	1831.033.001	Shaft	1	
37	1820.020.278	Bushing	2	88	1926.502.200	Free wheel, ø 20/26 x 26	1	
38	1916.306.062	Lock nut, M 6	4	89	1934.330.151	Needle bearing, ø 15/28 x 6	1	
39				90				
*	40	1821.208.002	Cutter, incl. pos. 41	25 mm 1				
*	40	1821.208.011	Cutter "A", incl. pos. 41	25 mm 1				

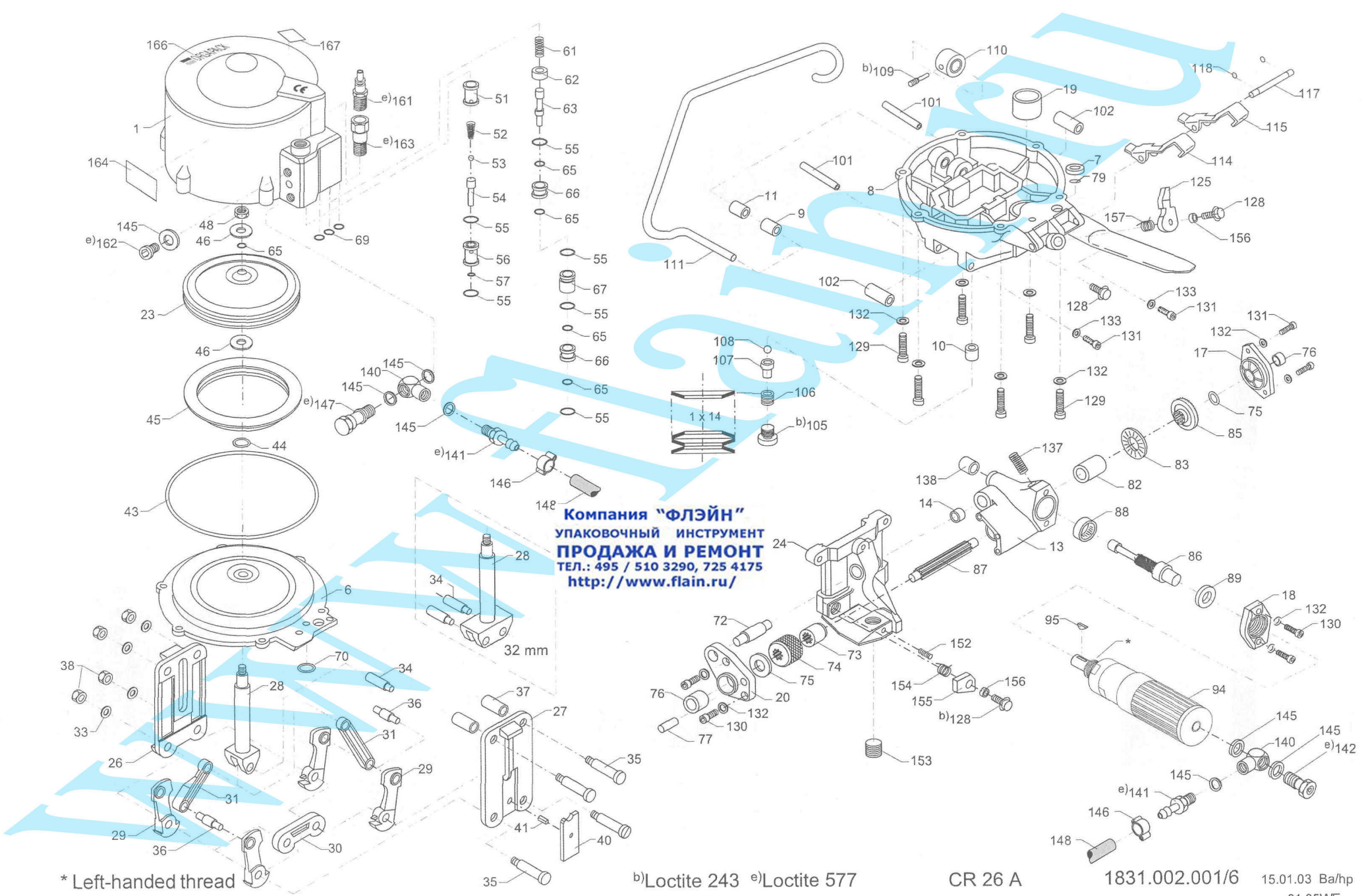
Pos.	Part no	Part name	Quantity
91			
92			
93			
94	1894.422.000	Air motor, LZB 33 A 005-63	1
95	1895.312.003	Woodruff key	1
96			
97			
98			
99			
100			
101	1821.039.021	Bolt	2
102	1820.020.279	Bushing	2
103			
104			
105	1820.030.442	Locking screw	1
106	1925.210.042	Saucer spring (14 pieces)	1
107	1820.030.441	Bolt	1
108	1925.010.702	Ball, ø 7	1
109	1820.030.443	Set screw	1
110	1174.400.069	Roll	1
111	1174.400.068	Suspension bow	1
112			
113			
114	1174.400.076	Lever green	1
115	1174.400.077	Lever yellow	1
116			
117	1174.400.078	Shaft	1
118	1920.103.062	Lock washer, ø 3,2	2
119			
120			
121			
122			
123			
124			
125	1174.400.079	Pawl	1
126			
127			
128	1911.305.162	Cylinder screw, M 5 x 16	3
129	1911.005.258	Cylinder screw, M 5 x 25	6
130	1911.005.168	Cylinder screw, M 5 x 16	4
131	1911.005.128	Cylinder screw, M 5 x 12	4
132	1919.605.062	Lock nut, M 5	12
133	1917.803.056	Washer, M 5	2
134			
135			
136			
137	1820.010.144	Compression spring	1
138	1933.910.120	Needle bearing, ø 10/14 x 12	1
139			
140	1941.112.720	L-Connection, G 1/4"	2
141	1941.111.040	Hose connection, G 1/4"	2
142	1940.070.723	One-way restrictor, G 1/4"	1
143			
144			
145	1941.210.720	Gasket, G 1/4"	7
146	1940.331.188	Hose clamp, ø 18	2
147	1941.202.722	Hollow screw, G 1/4"	1

Pos.	Part no	Part name	Quantity
148	1173.400.044	Air hose	1
149			
150			
151			
152	1910.505.062	Set screw, M 5 x 6	1
* 153	1820.040.109	Tension plug	1
154	1820.010.230	Torque spring	1
155	1174.400.074	Strap guide lever	1
156	1820.020.280	Bushing	2
157	1820.010.231	Torque spring	1
158			
159			
160			
161	1940.311.721	Air plug, G 1/4"	1
162	1911.272.127	Locking screw, G 1/4"	1
163			
164	1820.090.068	Oil label	1
165			
166	1820.090.198	Name tag	1
167	1820.090.172	Label "Made in Switzerland"	1

## Variation USA/CAN

161	1820.100.019	Air connector, 1/4" NPT	1
163	1820.100.017	Transition connection, G 1/4"-1/4" NPT	1

Компания "ФЛЭЙН"  
 УПАКОВОЧНЫЙ ИНСТРУМЕНТ  
**ПРОДАЖА И РЕМОНТ**  
 Тел.: 495 / 510 3290, 725 4175  
<http://www.flain.ru/>



Компания "ФЛЭЙН"  
 УПАКОВОЧНЫЙ ИНСТРУМЕНТ  
 ПРОДАЖА И РЕМОНТ  
 ТЕЛ.: 495 / 510 3290, 725 4175  
<http://www.flain.ru/>

\* Left-handed thread

b) Loctite 243 e) Loctite 577

CR 26 A

1831.002.001/6

15.01.03 Ba/hp  
 01.05WE

## 9

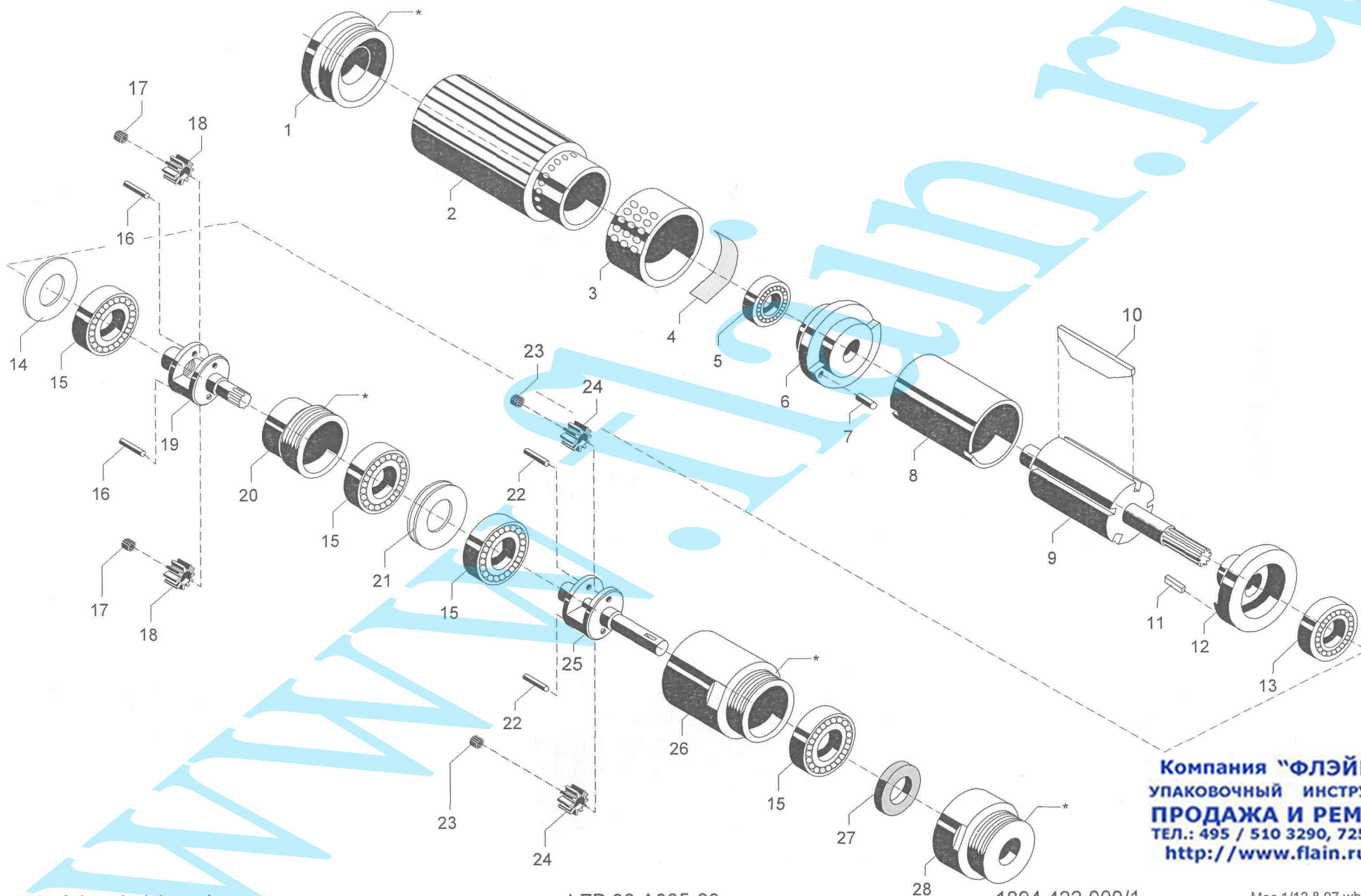
## PARTS LIST COMPRESSED AIR MOTOR 1894.422.000/1

When ordering please indicate part number and quantity

Explosion drawing see page 30

Pos.	Part no	Part name	Quantity
1	1894.432.012	End plate	1
2	1894.432.011	Gear housing ( Rear side)	1
3	1894.432.026	Silencer	1
4	1894.432.027	Mesh screen	1
5	1894.432.005	Ball bearing	1
6	1894.432.004	Bearing plate rear	1
7	1894.432.006	Pin	1
8	1894.432.003	Cylinder	1
9	1894.422.001	Rotor	1
10	1894.422.002	Blade	5
11	1894.432.002	Key	1
12	1894.432.009	Bearing plate front	1
13	1894.432.001	Ball bearing	1
14	1894.432.013	Washer	1
15	1894.432.021	Ball bearing	4
16	1894.332.015	Shaft	2
17	1894.332.016	Needle cage	2
18	1894.422.003	Planetary wheel	2
19	1894.422.004	Planetary shaft	1
20	1894.432.025	Threaded bushing	1
21	1894.432.024	Saucer spring	2
22	1894.432.017	Shaft	2
23	1894.332.024	Bearing needle	32
24	1894.432.016	Planetary wheel	2
25	1894.432.018	Planetary shaft	1
26	1894.432.023	Gear housing ( Front side)	1
27	1894.332.027	Gasket	1
28	1894.432.022	Front part	1

Компания "ФЛЭЙН"  
 УПАКОВОЧНЫЙ ИНСТРУМЕНТ  
**ПРОДАЖА И РЕМОНТ**  
 ТЕЛ.: 495 / 510 3290, 725 4175  
<http://www.flain.ru/>



\* Left-handed thread

LZB 33 A005-63

1894.422.000/1

Компания "ФЛЭЙН"  
 УПАКОВОЧНЫЙ ИНСТРУМЕНТ  
**ПРОДАЖА И РЕМОНТ**  
 Тел.: 495 / 510 3290, 725 4175  
<http://www.flain.ru/>

Mac 1/12.8.97 wb /ja